



Neomax BMR BLACK MARK REMOVER

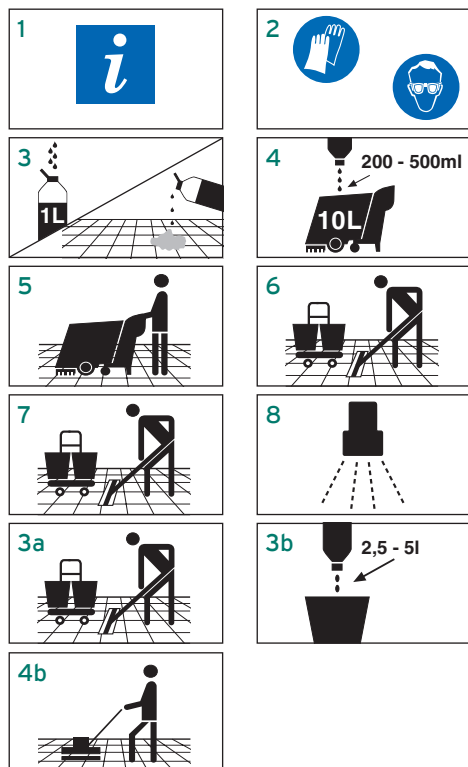
Neomax BMR is an intensive floor cleaner for removal of heavy dirt. Its special combination of active low-foaming surfactants, builders and cleaning booster makes possible removal of rubber marks and streaks from shoes, forklifts, car tires, trolleys, etc.. Even burned and stubborn streaks can be tackled. The product is leaving a fresh fragrance of oranges behind. **Neomax BMR** is suitable for use in all types of scrubber dryers, in a single disc machine or with the **Rasant** system. This makes **Neomax BMR** the ideal option for special cleaning tasks in industry, workshops, logistic centers, hypermarkets and warehouses.

Application area: For daily and periodical cleaning of all alkaline and solvent resistant floors.

- **Efficiency Matters:** One product for special spot and daily heavy duty cleaning.
- **Safety Matters:** Removes black marks on floors, increasing the hygiene level by lowering the cross-contamination risk.
- **Performance Matters:** Removes even burned and stubborn rubber streaks.



USE INSTRUCTIONS



- 1 Check hygiene plan and product label for detailed use information
- 2 Wear suitable protective clothing when handling the product
- 3 First apply / spray 25 %-concentrated **Neomax BMR** on stubborn and embedded streaks
- 4 Prepare cleaning solution in the scrubber dryer fresh water tank. For daily cleaning, use **Neomax BMR** 2 - 5 % depending on the site specific needs and level of dirt
- 5 Use the scrubber dryer to scrub the floor while simultaneously vacuuming the solution
- 6 For corners and sides, use **Neomax BMR** with a double castor bucket and **rasanTec star** mop
- 7 Collect the dirty solution
- 8 Rinse afterwards with clean water
- 3a For manual cleaning, wipe the floor with the **rasanTEC** system
- 3b For periodical / interval cleaning, prepare **Neomax BMR** 25 - 50 % solution
- 4b Apply it on floor and scrub using a single disc machine with a green pad

SPECIAL NOTES / INFORMATION

- For professional use only!
- Never vaporize!
- Do not use concentrated in scrubber dryers!
- Do not use on linoleum or coated floors!
- Always rinse with clean water!
- Test material compatibility in a small inconspicuous area before use. Position warning signs "Attention wet floor" and leave in place until surface is totally dry. Safety Data Sheet for professional users is available on request.

SAFETY INFORMATION

For further information and safety instructions, see product label and Safety Data Sheet.

STORAGE CONDITIONS

Recommended storage temperature between 0 and 30 °C
 pH value (conc.): 11,3 - 12,5

PACK SIZE

10 L can

Ecolab Inc.
 370 Wabasha Street N St. Paul, MN 55102
 www.ecolab.com

Ecolab Europe GmbH
 Richtistr. 7
 CH-8304 Wallisellen
 Phone ++41 44 877 2000

Regional Office
 David Murray John Building
 Swindon, Wiltshire SN1 1NH (GB)
 Phone ++44 1793 511221

Regional Office
 La Vallee House Upper Dargle Road
 IRL-Bray, Co. Wicklow
 Phone ++353 1 276 3500