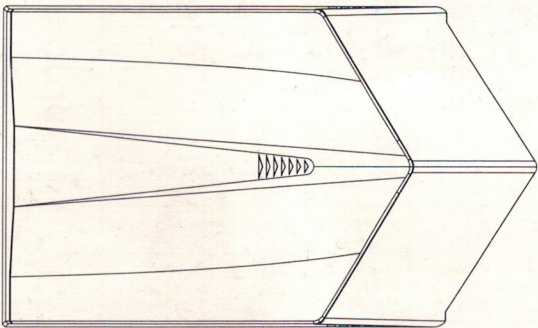


Automatic Hand Dryer

Instructions



Dear User:

Thank you very much for choosing our automatic hand dryer.

Please read the instruction carefully before in stallation.

Please keep it well for future reference.



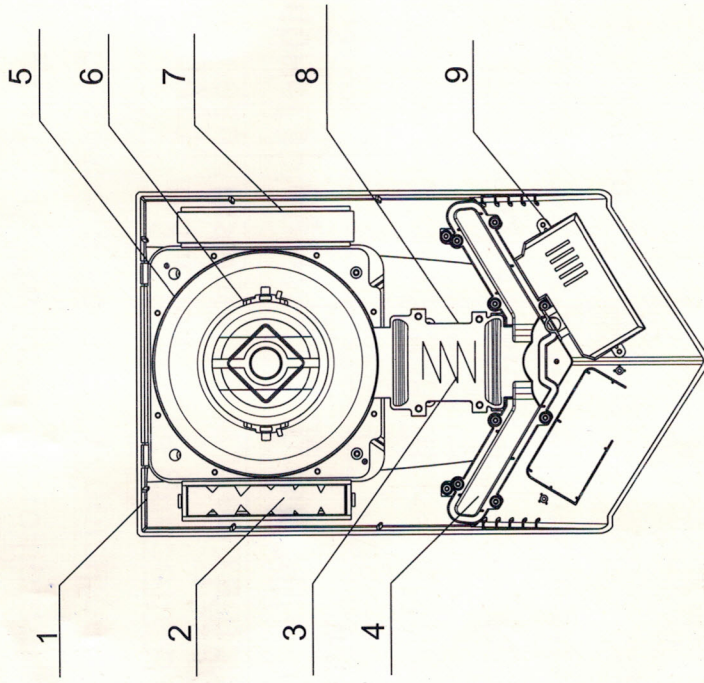
Reminder

1. please install on the wall which is not easily vibrated.
2. prohibit collision with hard objects and scratch in order to avoid affecting appearance.
3. prohibit the direct washing, don't use banana water, alcohol and other corrosive liquids to wipe the shell.
4. If the enclosure is contaminated, please cut off the power and wash the case with wet towel and soapy water.
5. If the power cord is damaged, in order to avoid danger, it must be replaced by the professional personnel of the maintenance department or similar Department of the manufacturer.

Product parameters

Voltage	220V <input type="checkbox"/> 110V <input type="checkbox"/>	Induction Distance	12±3CM
Frequency	50Hz <input type="checkbox"/> 60Hz <input type="checkbox"/>	Heating Mode	Electric heating wire
Power	1500W	Dry hand time	7-10 s
Installation	Wall mount	Dimensions	390X234X144MM

Part name

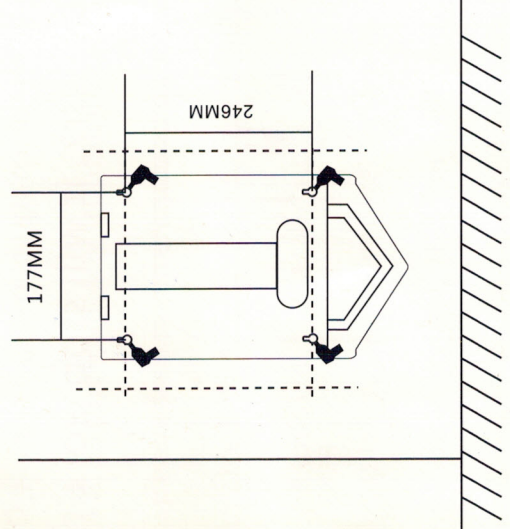


- 1. shell
- 2. air filter
- 3. heater
- 4. air spout
- 5. motor frame
- 6. motor
- 7. air inlet
- 8. heater box
- 9. pcb

Note: filter nets need to be replaced regularly.

Installation and debugging

①

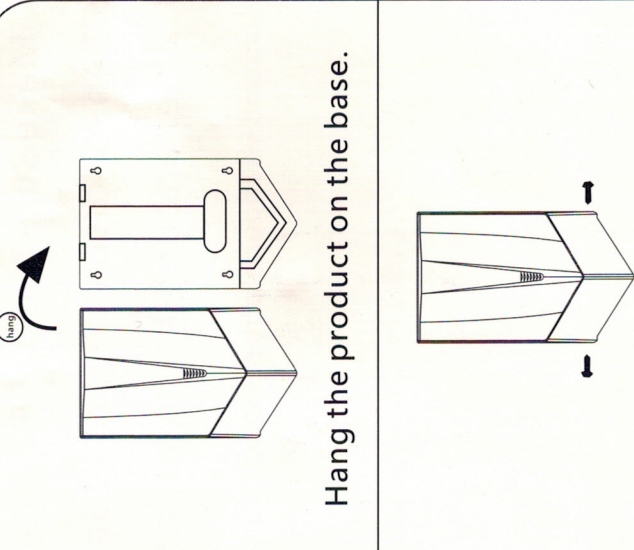


177MM

246MM

Fix the base on the wall
(installation hole as shown).

②

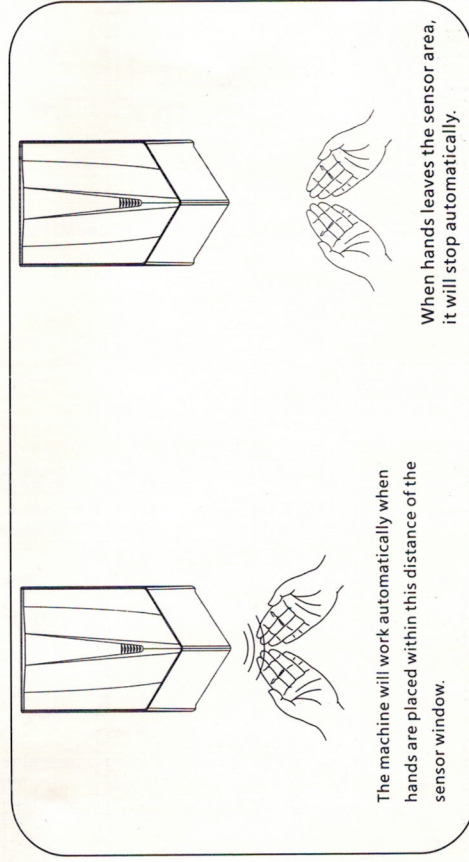


Hang the product on the base.

Screw the left and right screws
and complete installation.

Usage method

1. Make sure the power supply is normal before using the machine.
2. Sensor distance: 10 ~ 15cm
3. After about 60 seconds of continuous work, it will stop working.



Warranty Regulations

1. The item has one year quality warranty.
2. The warranty service starts from the order day.
3. Within one year, any trouble of the item cause of non-artificial behaviors, consumer can have free maintenance and exchange the item from the place you bought by original invoice and distributor stamped warranty card .
4. The following cases are not in our company' s free maintenance scope:
Trouble caused by incorrect use and repaired and retrofitted by non-technician persons.
Trouble caused by abnormal voltage and accidents such as fire, earthquake, thunder.
5. Overdue to the guaranteed period, or not the free maintenance product, we will manage to serve you(only cost fees).